



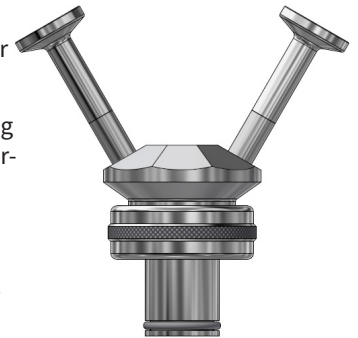


VALVE BODY TYPE I40 1/2" CLAMP ID9.4




ART. NO. 310002

GENERAL

-  The KEOFIT CLASSIC "INGOLD" Sampling Valve owes its hygienic design and one-piece construction to the original KEOFIT valve. Unique serial no. for each valve*.
-  The sampling valve can be used for any process sampling for microbiological, chemical and/or physical analysis.
-  Cleaning/sterilizing: Between batches: Valve in open position: Cleanable by means of CIP using the detergent solution suitable for the actual process media. Between samples: Valve in its normal closed position: cleanable by CIP as "Between batches" or the valve may be sterilized by means of steam SIP or chemical SIP using a procedure appropriate to the actual circumstances. For further advice, please contact KEOFIT.
-  Designed for sampling of liquids with a viscosity of up to approx. 1.000 cP containing no particles larger than Ø2 mm.
Sampling of more viscous liquids is possible, only will it take longer (depending on process pressure).



FEATURES

-  Installation: 40 mm Ingold port
-  Operation: Depending on choice of valve head
-  Inlet / Outlet: 1/2" Clamp: DIN 32676-KK-A-12,7 x 1,65
DIN 32676:2022-10 Table 5 Row C, I.D.9,4mm
-  Membrane: Depending on choice of valve head

CERTIFICATION*

Valve Body: EU EC 1935/2004 · EU EC 2023/2006 · DK No 681 25/05/20 · 3.1 Material Certificate · Ra Certificate · ATEX 2014/34/EU · PED 2014/68/EU · KEOFIT DoC
O-ring: EU EC 1935/2004 · EU EC 2023/2006 · DK No 681 25/05/20 · FDA CFR 21 §177.2600 · USP Class VI · ADI Free · KEOFIT DoC

TECHNICAL DATA

Material (process contact)

Steel parts: AISI 316L (1.4435 BNII)
O-ring: Silicone, Transparent (#300119)

Material (without process contact)

Steel parts: AISI 316L (1.4404)

Surface Treatment

Outside: Electropolished Ra <= 1.2 µm
Inside (wetted surface): Electropolished Ra <= 0.2 µm
Process connection: Electropolished Ra <= 0.2 µm

Pressure & Temperature

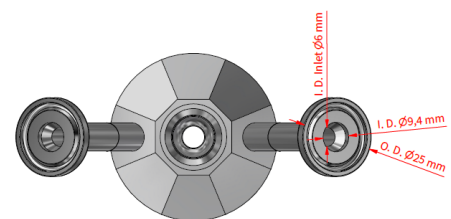
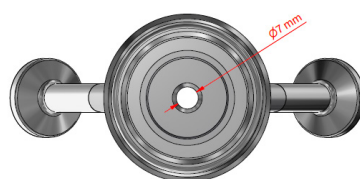
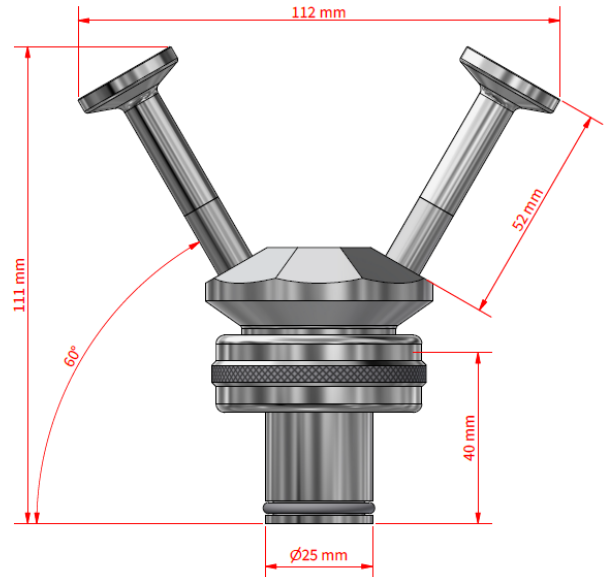
Pressure: Depending on choice of valve head
Temperature: Depending on choice of valve head
Air supply: Depending on choice of valve head

Net weight

Kg/lbs: 0.463 kg/1.0

SPARE PARTS

300119 10 Pack O-ring silicone 20.24 x 2.62



*For further information and downloads please visit www.keofitt.dk

KEOFITT A/S reserves the right to change technical data without notice! Valid version of the data sheet is available on www.keofitt.dk