


10 PACK MEMBRANE SILICONE 4KAI/BASIX/M4


ART. NO. 400051

GENERAL

 KEOFITT has the widest selection of spare parts and accessories to complete your sampling system. The patented membrane design is an essential part of the hygienic design of the KEOFITT sampling valves.



FEATURES

 Compatible with all KEOFITT M4 & 4KAI valve heads and Basix equipped with silicone membrane

CERTIFICATION*

- EU EC 1935/2004 · EU EC 2023/2006 · DK No. 1248 10/2018 · FDA CFR 21 §177.2600 · USP Class VI
- REACH · RoHS · ADI Free · Keofitt DoC

TECHNICAL DATA

Material (process contact)

Type:	Silicone, GREY (#400051)
Hardness, ISO 48-4 [Shore A]:	70 ± 3
Tensile strength, ISO 37 [MPa]:	10.5 ± 2
Elongation at break, ISO 37 [%]:	550 ± 80
M100, ISO 37 [MPa]:	2.8 ± 0.4
Tear strength, ISO 34-1 [N/mm]:	40 ± 6
Density, ISO 2781 [g/ml]:	1.19 ± 0.01

Temperature in dry atmospheric air [°C/°F]: -60 - +200 / -76 - +392
 Compression set, ISO 815, 175°C/24 h/25%/30min. [%]: 21 ± 4

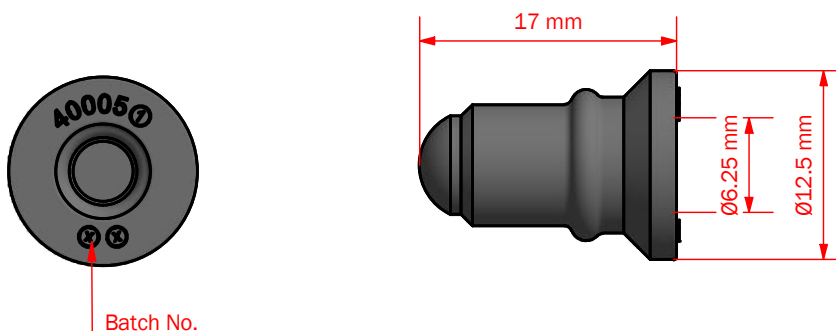
Wear resistance:	1
Resistance to weather and ozone:	4
Resistance to hydrolysis:	2
Resistance to chemicals (acids/bases):	2
Resistance to oil:	1
Permeability (gas):	1

4: Excellent 3: Good 2: Fair 1: Poor

Net weight (kg/lbs): 0.00075 kg/0.00165 lbs

SERVICE TIME

Average service life of a silicone membrane is 2-3 months, but depends very much on operating conditions and choice of cleaning method and sterilization - actual life expectancy must be experimentally determined by the user.



*For further information and download please visit www.keofitt.dk