

PROXIMITY SWITCH FOR M4/W9

ART. NO. 400166

GENERAL



KEOFITT has the widest selection of spare parts and accessories to complete your sampling system.



For further technical information please visit www.festo.com

FEATURES



To be mounted with mounting kit SMBR-25 article no. 400167 for M4 & article no. 600267 for W9



CERTIFICATION*

Conforms to RoHS

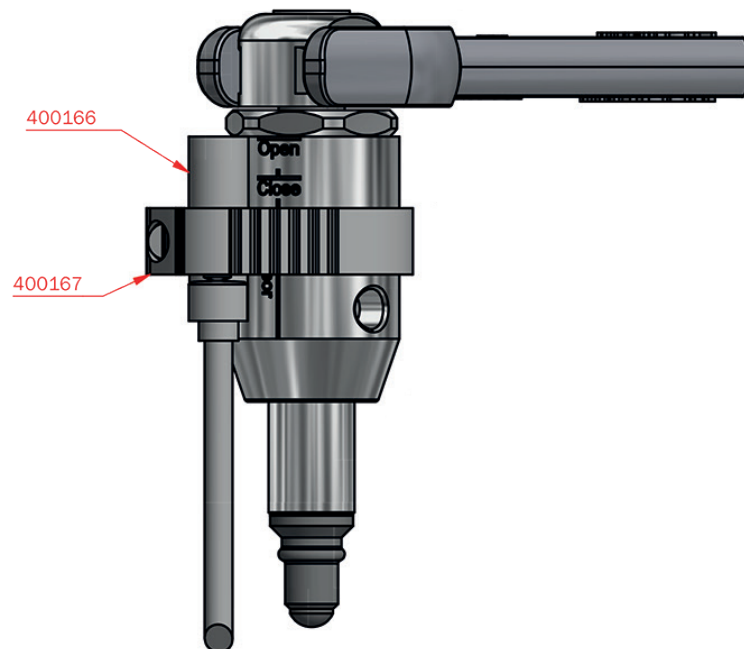
TECHNICAL DATA

Material

Mounting kit Polypropylene (PP)

Net weight

Kg/lbs 0,002 kg /0,004 lbs



*For further information and downloads please visit www.keofitt.dk

KEOFITT A/S reserves the right to change technical data without notice! Valid version of the data sheet is available on www.keofitt.dk