



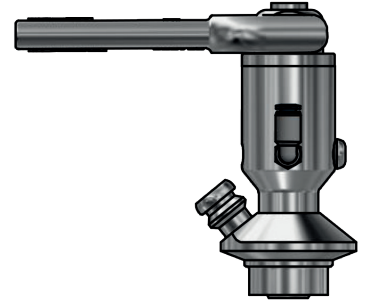


# BASIX VALVE TYPE P/N EPDM






ART. NO. 451144E

## GENERAL

-  The KEOFITT BASIX Sampling Valve is our CIP-able sampling valve for less demanding applications. Replaces non-hygienic sampling cocks. More than 20 different configurations available
-  The sampling valve can be used for any process sampling for microbiological, chemical and/or physical analysis.
-  Cleaning: Valve in open position: Cleanable by means of CIP using the detergent solution suitable for the actual process media. For further advice, please contact KEOFITT. Autoclavable.
-  Designed for sampling of liquids with a viscosity of up to approx. 100 cP containing no particles larger than Ø1.5 mm. Sampling of more viscous liquids is possible, only will it take longer (depending on process pressure).



## FEATURES

-  Installation: Pipe welding: DIN EN ISO 1127 25x1.25
-  Membrane: EPDM, black (#400052)
-  Head assembly: Hand tight using a tommy bar or maximum 15 Nm. Tommy bar included (#900118).
-  Outlet: Hose piece
-  Operation: Pneumatically operated/ Lever handle (#600170) Spring closed - when not pressurized.

## CERTIFICATION\*

- Valve: EU EC 1935/2004 · EU EC 2023/2006 · DK No 681 25/05/20 · 3-A Certificate · 3.1 Material Certificate · ATEX 2014/34/EU · PED 2014/68/EU · FDA CFR 21 §177.2600 · USP Class VI · KEOFITT DoC.
- Membrane: EU EC 1935/2004 · EU EC 2023/2006 · DK No 681 25/05/20 · FDA CFR 21 §177.2600 · USP Class VI · REACH · RoHS · ADI Free · KEOFITT DoC.

## TECHNICAL DATA

### Material (process contact)

- Steel parts: AISI 316L (1.4404)  
Membrane: EPDM, black (#400052)

### Material (without process contact)

- Steel parts: AISI 304 (1.4307)  
Lever handle: AISI 316L (1.4404)

### Surface Treatment

- Outside: Ra ≤ 1.2 µm  
Inside (wetted surface): Ra ≤ 0.8 µm  
Process connection: Ra ≤ 0.8 µm

### Pressure & Temperature

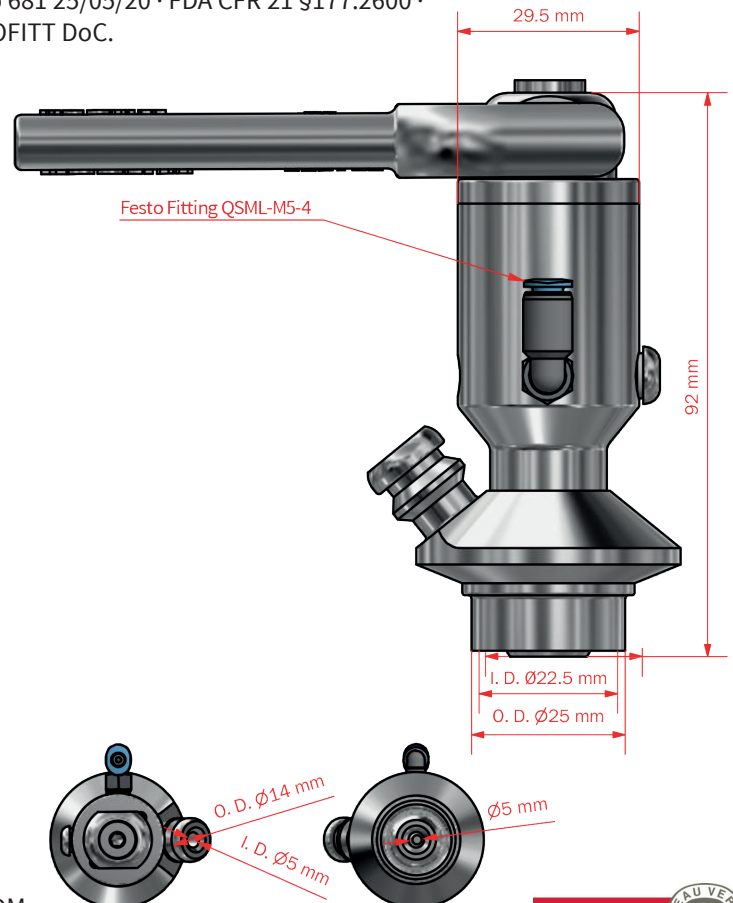
- Pressure: 0 - 6 bar / 0 - 87 psi  
Temperature: 1 - 130°C / 34 - 266°F  
Air supply: 5 - 7 bar / 73 - 102 psi

### Net weight

- Kg/lbs: 0.510 kg / 1.123 lbs

## SPARE PARTS

- #774444EPDM Parts for 4KAI/Basix head N EPDM



\*For further information and downloads please visit [www.keofitt.dk](http://www.keofitt.dk)