

PTFE TUBING W/TC - 1 M

ART. NO. 550005

GENERAL



KEOFITT has the widest selection of spare parts and accessories to complete your sampling system



Tube is available in all lengths on request.

FEATURES



Connection: Mini Tri-Clamp

CERTIFICATION*

3.1 Material certificate

TECHNICAL DATA

Material (without process contact)

Steel parts: AISI 316L (1.4404)
Tube: PTFE (TFM1600 - white)

Surface Treatment

Outside: Electropolished
Inside (wetted surface): Ra <= 0.5 µm (Tri-Clamp only)

Pressure & Temperature

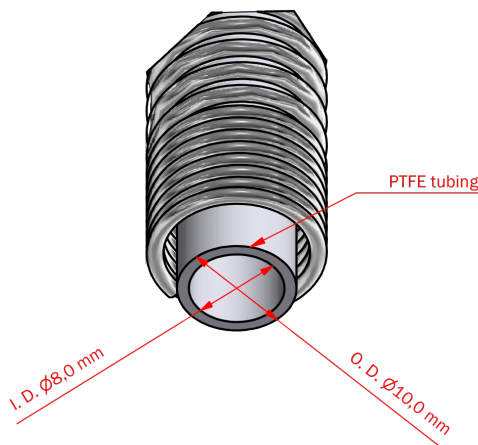
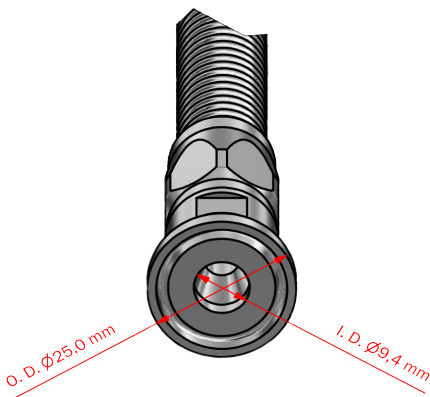
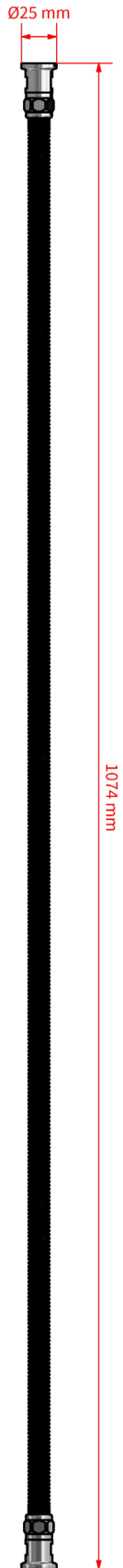
Pressure: Depending on choice of valve head
Temperature: Depending on choice of valve head

Net weight

Kg/lbs: 0.449 kg/0.98 lbs

SPARE PARTS

- NOT APPLICABLE



*For further information and downloads please visit www.keofitt.dk

KEOFITT A/S reserves the right to change technical data without notice! Valid version of the data sheet is available on www.keofitt.dk

