

PROXIMITY SENSOR MOUNTING KIT W9

ART. NO. 600267

GENERAL



KEOFITT has the widest selection of spare parts and accessories to complete your sampling system

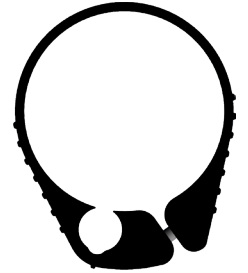


For further technical information please visit www.festo.com

FEATURES



Mounting kit for proximity switch W9; article no. 600266 & 400166



CERTIFICATION*

Conforms to RoHS

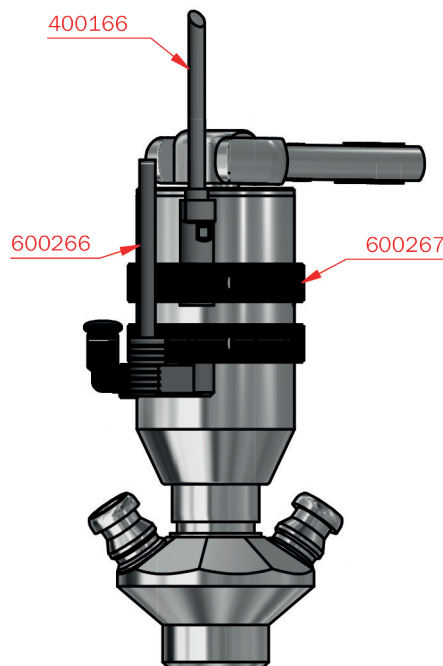
TECHNICAL DATA

Material

Mounting kit Polypropylene (PP)

Net weight

Kg/lbs 0,004 kg /0,009 lbs



*For further information and downloads please visit www.keofitt.dk