

# ADAPTOR 1/2" CLAMP/1" CLAMP

ART. NO. 800014

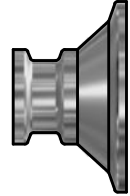
## GENERAL



KEOFITT has the widest selection of spare parts and accessories to complete your sampling system.



Compatible to all KEOFIT sampling valves with W9 and Sesame 1/2" clamp outlet and with W25 1" clamp outlet.



## FEATURES



Connection: 1/2" clamp outlet or 1" clamp outlet



Outlet: 1" clamp or 1/2" clamp

## CERTIFICATION\*

- 3.1 Material Certificate

## TECHNICAL DATA

### Material (process contact)

### Material (without process contact)

- Steel parts      AISI 316L (1.4404)

### Surface Treatment

- Outside      Electropolished Ra ≤ 1.2 µm
- Inside      Electropolished Ra ≤ 0.5 µm

### Pressure & Temperature

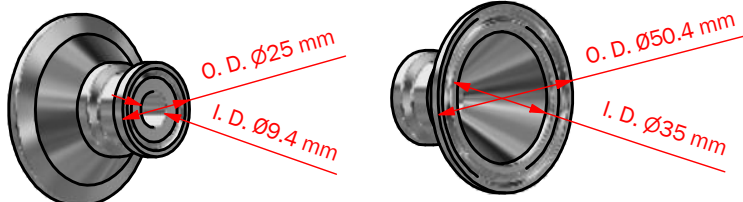
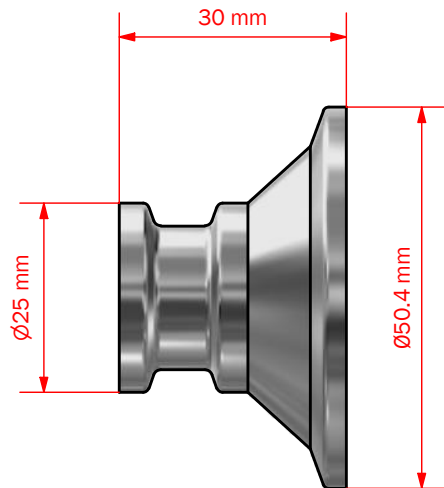
- Pressure      Depending on choice of valve head
- Temperature      Depending on choice of valve head

### Net Weight

- kg/lbs      0.089 kg/0.197 lbs

### Spareparts

- NOT APPLICABLE



\*For further information and download please visit [www.keofitt.dk](http://www.keofitt.dk)