

QUICK COUPLING/QUICK COUPLING W9

ART. NO. 800053

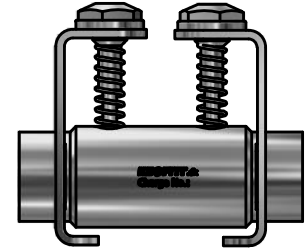
GENERAL



KEOFITT has the widest selection of spare parts and accessories to complete your sampling system.



Compatible to all KEOFITT sampling valves with W9 and Sesame hose piece.



FEATURES



Connection: W9 hose piece in-/outlet



Outlet: To W9 hose piece

CERTIFICATION*

- 3.1 Material Certificate

TECHNICAL DATA

Material (process contact)

Material (without process contact)

- Steel parts: AISI 316L (1.4404)
- O-ring: Silicone, RED (#800830)
 - EU EC 1935/2004 · FDA CFR 21 §177.2600
 - USP Class VI · ADI Free

Surface Treatment

- Outside: Electropolished $Ra \leq 1.2 \mu m$
- Inside: Electropolished $Ra \leq 0.5 \mu m$

Pressure & Temperature

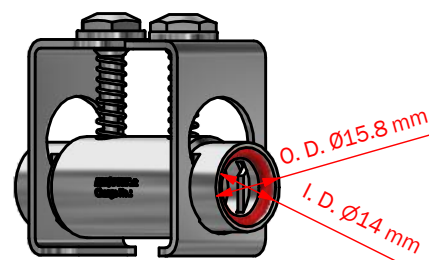
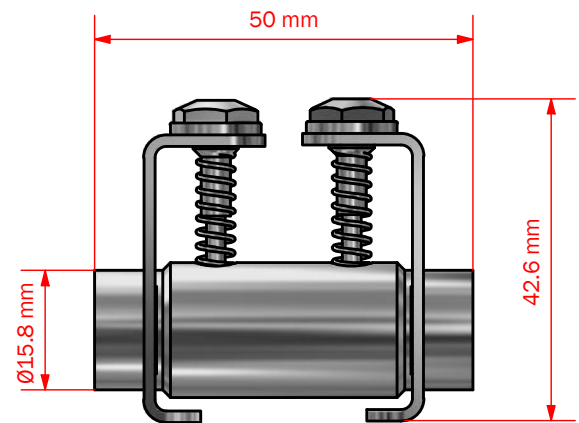
- Pressure: Depending on choice of valve head
- Temperature: Depending on choice of valve head

Net Weight

- kg/lbs: 0.08 kg/0.175 lbs

Spareparts

- 800830: 10 PACK O-RING SILICONE 10.3 x 2.4



*For further information and download please visit www.keofitt.dk