

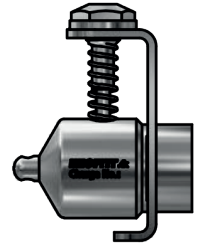
QUICK COUPLING W9 ST. ST. PLUG

ART. NO. 800061

GENERAL

KEOFITT has the widest selection of spare parts and accessories to complete your sampling system.

Compatible to all KEOFITT sampling valves with W9 hose piece



FEATURES

Connection: W9 hose piece in-/outlet

Operation: To be used with double steel chain

CERTIFICATION*

3.1 material certificate

O-ring: EC 1935/2004 · EC 2023/2006 · BEK 681 of 25/05/2020 · FDA CFR 21§177.2600 · ADI free · TSE/BSE free · EC 1895/2005

TECHNICAL DATA

Material (without process contact)

Steel parts: AISI 316L (1.4404)
O-ring: Silicone, red (#800830)

Surface Treatment

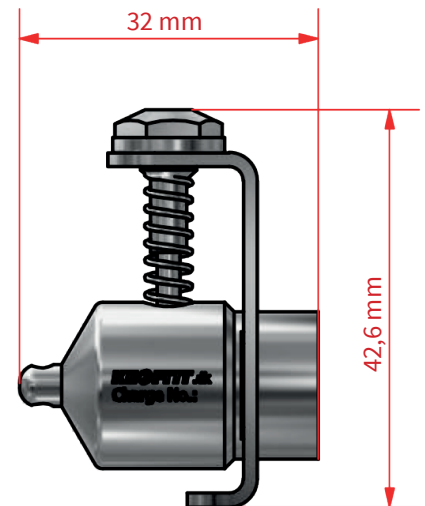
Outside: Electropolished Ra <= 1.2 µm
Inside (wetted surface): Electropolished Ra <= 0.5 µm

Pressure & Temperature

Pressure: Depending on choice of valve head
Temperature: Depending on choice of valve head

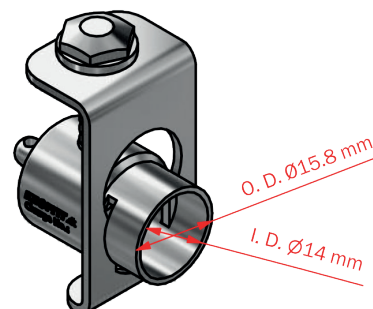
Net weight

Kg/lbs: 0.045 kg / 0.099 lbs



SPARE PARTS

#800830 10 pack O-ring silicone 10.3 x 2.4



*For further information and downloads please visit www.keofitt.dk