

# QUICK COUPLING FOR CO<sub>2</sub>/O<sub>2</sub> MEASUREMENTS

ART. NO. 800084

## GENERAL



KEOFITT has the widest selection of spare parts and accessories to complete your sampling system.



Compatible to all KEOFIT sampling valves with W9 and Sesame hose piece.

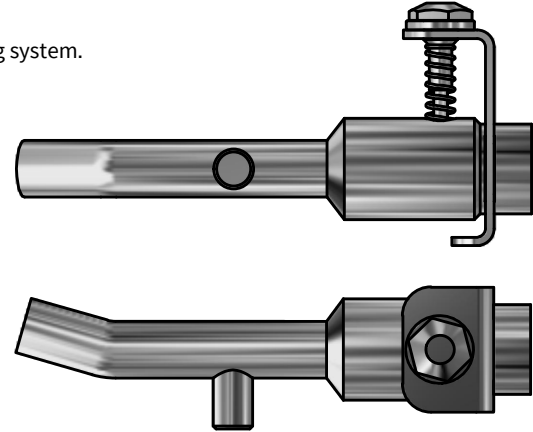
## FEATURES



Connection: W9 hose piece in-/outlet



Outlet: Fitting for CO<sub>2</sub>/O<sub>2</sub> - measuring device



## CERTIFICATION\*

- 3.1 Material Certificate

## TECHNICAL DATA

### Material (process contact)

### Material (without process contact)

- Steel parts: AISI 316L (1.4404)
- O-ring: Silicone, red (#800830)
- EU EC 1935/2004 · FDA CFR 21 §177.2600
- REACH · RoHS · ADI Free

### Surface Treatment

- Outside: Electropolished Ra ≤ 1.2 μm
- Inside: Electropolished Ra ≤ 0.5 μm

### Pressure & Temperature

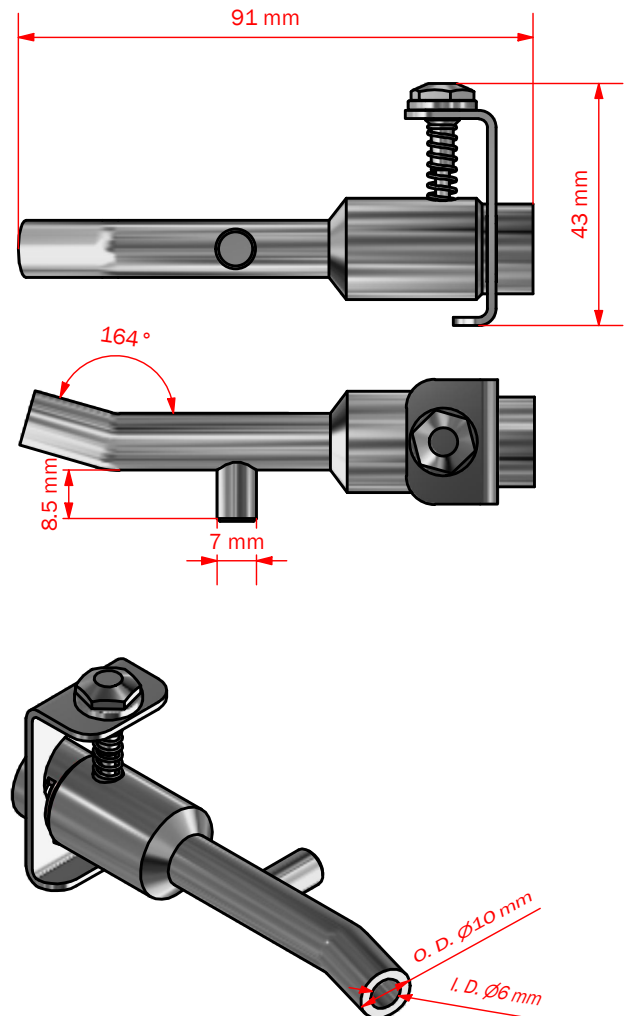
- Pressure: Depending on choice of valve head
- Temperature: Depending on choice of valve head

### Net Weight

- kg/lbs: 0.083 kg/0.182 lbs

### Spareparts

- 800830: 10 PACK O-RING SILICONE 10.3 x 2.4



\*For further information and download please visit [www.keofitt.dk](http://www.keofitt.dk)