

QUICK COUPLING W9 MALE LUER LOCK

ART. NO. 800085

GENERAL

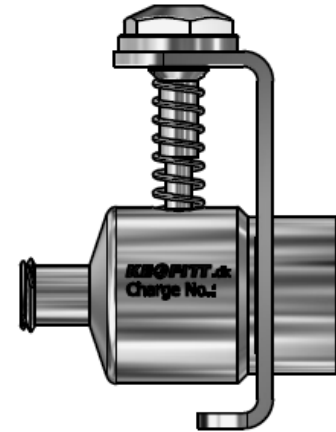
KEOFITT has the widest selection of spare parts and accessories to complete your sampling system.

Compatible to all KEOFITT sampling valves with W9 and Sesame hose piece

FEATURES

Connection: W9 hose piece in-/outlet

Outlet: Male luer lock



CERTIFICATION*

3.1 material certificate

O-ring: EU EC 1935/2004 · FDA CFR 21§177.2600 · ADI free · EU EC 2023/2006, REACH, KEOFITT DoC

TECHNICAL DATA

Material (process contact)

Material (without process contact)

Steel parts: AISI 316L (1.4404)
O-ring: Silicone, red (#800830)

Surface Treatment

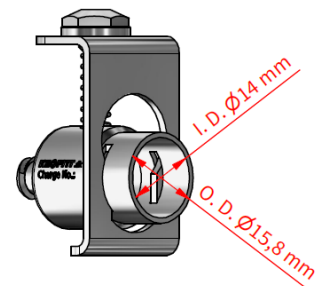
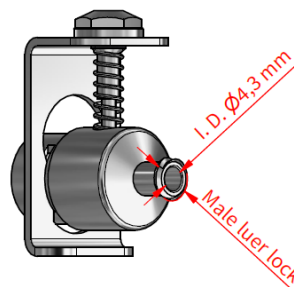
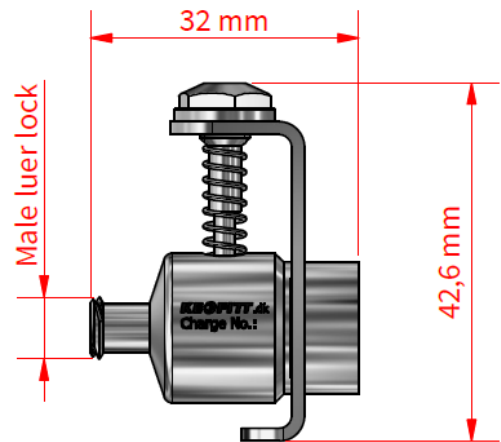
Outside: Electropolished Ra ≤ 1.2 μm
Inside (wetted surface): Electropolished Ra ≤ 0.5 μm

Pressure & Temperature

Pressure: Depending on choice of valve head
Temperature: Depending on ch

Net weight

Kg/lbs: 0.042 kg / 0.093 lbs



SPARE PARTS

#800830 10 pack O-ring silicone 10.3 x 2.4

*For further information and downloads please visit www.keofitt.dk

