

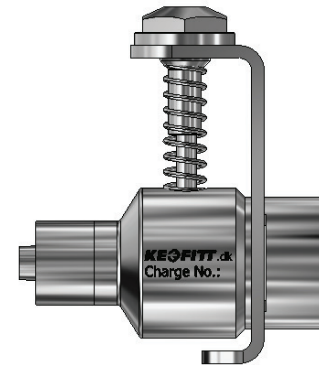
# QUICK COUPLING W9 FEMALE LUER LOCK

ART. NO. 800095

## GENERAL

KEOFITT has the widest selection of spare parts and accessories to complete your sampling system.

Compatible to all KEOFITT sampling valves with W9 hose piece



## FEATURES

Connection: W9 hose piece in-/outlet

Operation: Female luer lock

## CERTIFICATION\*

3.1 material certificate

O-ring: EC 1935/2004 · EC 2023/2006 · BEK 681 of 25/05/2020 · FDA CFR 21§177.2600 · ADI free · TSE/BSE free · EC 1895/2005

## TECHNICAL DATA

### Material (without process contact)

Steel parts: AISI 316L (1.4404)  
O-ring: Silicone, red (#800830)

### Surface Treatment

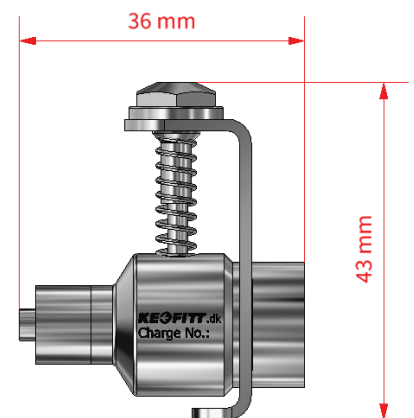
Outside: Electropolished Ra ≤ 1.2 μm  
Inside (wetted surface): Electropolished Ra ≤ 0.5 μm

### Pressure & Temperature

Pressure: Depending on choice of valve head  
Temperature: Depending on choice of valve head

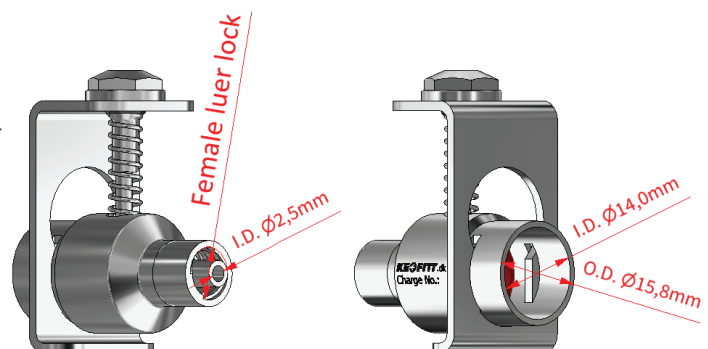
### Net weight

Kg/lbs: 0.045 kg / 0.099 lbs



## SPARE PARTS

#800830 10 pack O-ring silicone 10.3 x 2.4



\*For further information and downloads please visit [www.keofitt.dk](http://www.keofitt.dk)