



QUICK COUPLING W9 THREAD M16x1.5


ART. NO. 800171

GENERAL

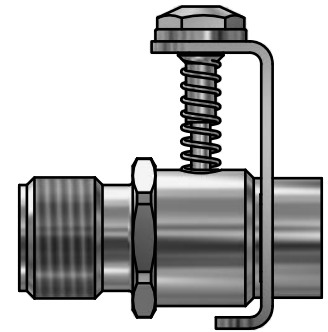
 KEOFITT has the widest selection of spare parts and accessories to complete your sampling system.

 Compatible with all KEOFITT sampling valves with W9, Sesame and Simplex hose piece.

FEATURES

 Connection: W9 hose piece in-/outlets

 Outlet: Thread M16x1.5



CERTIFICATION*

- 3.1 Material Certificate

TECHNICAL DATA

Materials

- Steel parts AISI 316L (1.4404)

Surface

- Outside Electropolished
- Inside Ra ≤ 0.5 μm

Pressure & Temperature

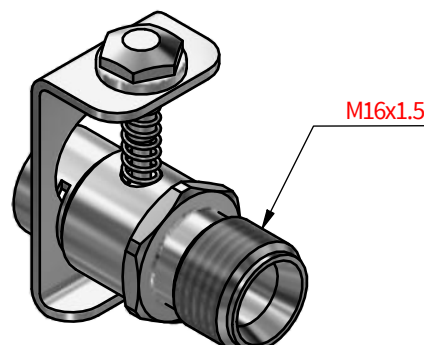
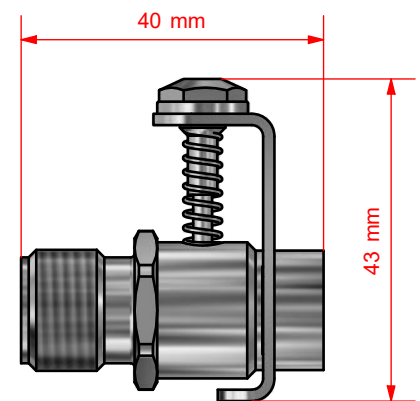
- Pressure 0 - 12 bar / 0 - 174 psi
- Temperature 1 - 150°C / 34 - 302°F

Net Weight

- kg/lbs 0.054 kg/0.12 lbs

Spareparts

- NOT APPLICABLE



*For further information and download please visit www.keofitt.dk