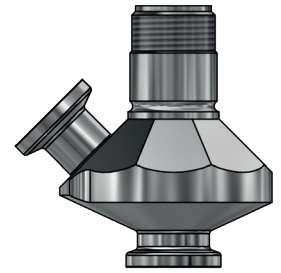


VALVE BODY W9 C 1/2" MINI TRI-CLAMP OUTLET ONLY

ART. NO. 850039-1

GENERAL

- The modified version of KEOFITT CLASSIC W9 Sampling Valve is a CIP-able sampling valve for less demanding applications. Replaces non-hygienic sampling cocks/valves. Unique serial no. for each valve*.
- The sampling valve can be used for any process sampling for microbiological, chemical and/or physical analysis.
- Cleaning:** Valve in open position: Cleanable by means of CIP using the detergent solution suitable for the actual process media. For further advice, please contact KEOFITT.
- Designed for sampling of liquids with a viscosity of up to approx. 1.000 cP containing no particles larger than Ø3 mm. Sampling of more viscous liquids is possible, only will it take longer (depending on process pressure).



FEATURES

- Installation:** 1/2" Clamp DIN 32676:2009-05 Table 4 Row C
- Operation:** Depending on choice of valve head
- Outlet:** 1/2" Clamp DIN 32676:2009-05 Table 4 Row C
- Membrane:** Depending on choice of valve head

CERTIFICATION*

EU EC 1935/2004 · EU EC 2023/2006 · DK No 681 25/05/20 · 3-A Certificate · 3.1 Material Certificate · Ra Certificate · ATEX 2014/34/EU · PED 2014/68/EU

TECHNICAL DATA

Material (process contact)

Steel parts: AISI 316L (1.4435 BNII)

Material (without process contact)

Steel parts: AISI 316L (1.4404)

Surface Treatment

Outside: Electropolished Ra <= 1.2 µm
 Inside (wetted surface): Electropolished Ra <= 0.5 µm
 Process connection: Electropolished Ra <= 0.5 µm

Pressure & Temperature

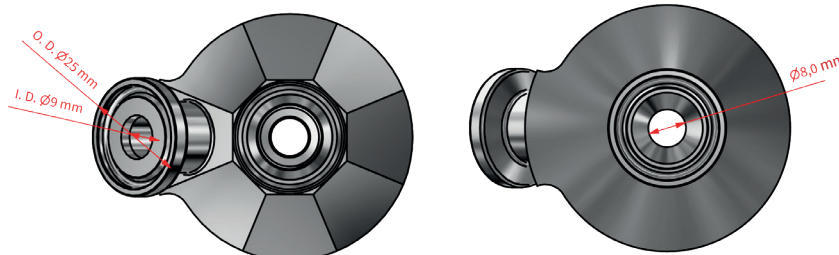
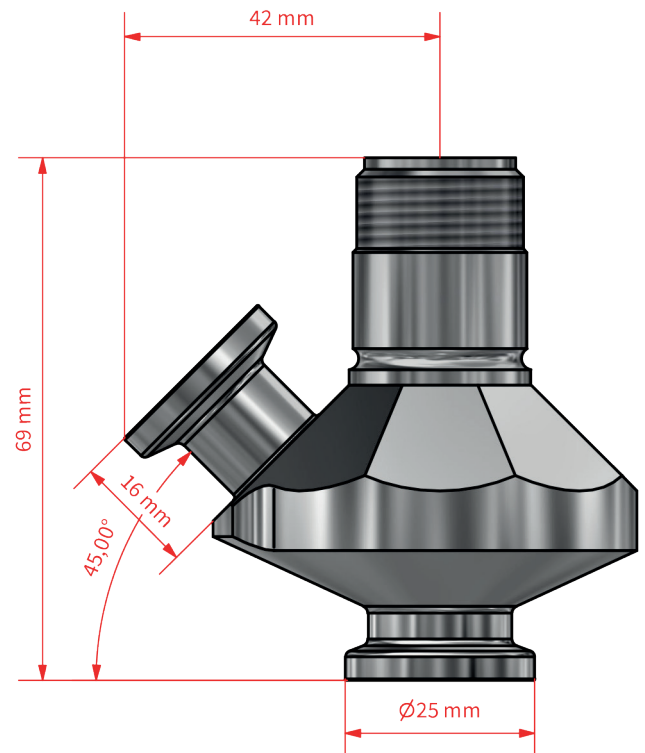
Pressure: Depending on choice of valve head
 Temperature: Depending on choice of valve head
 Air supply: Depending on choice of valve head

Net weight

Kg/lbs: 0.377 kg / 0.829 lbs

SPARE PARTS

- NOT APPLICABLE



*For further information and downloads please visit www.keofitt.dk