

MEMBRANE PTFE W25

ART. NO. 870055

GENERAL

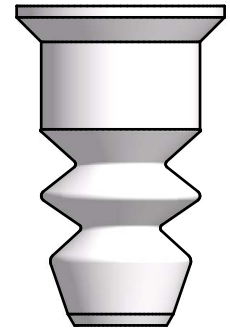


KEOFITT has the widest selection of spare parts and accessories to complete your sampling system. The patented membrane design is an essential part of the hygienic design of the KEOFITT sampling valves.

FEATURES



Compatible with all KEOFITT W25 valve heads equipped with PTFE membrane



CERTIFICATION*

- EU EC 1935/2004 · EU EC 2023/2006 · EU EC 10/2011 · DK No. 1248 10/2018 · FDA CFR 21 §177.1550
- USP Class VI · ADI Free · Keofitt DoC

TECHNICAL DATA

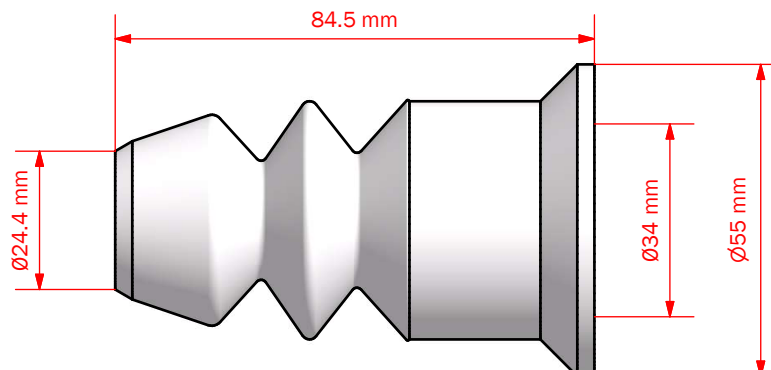
Material (process contact)

Type:	PTFE, WHITE (#870055)
Tensile strength, ASTM D 4894-98a [psi/bar]:	4800/330
Elongation at break, ASTM D 4894-98a [%]:	450
Density, ASTM D 4894-98a [g/cc]:	2.16
Service Temperature Range [°C/°F]:	-200 - +260 / -328 - +500
Deformation under Load, ASTM D 621 [%]:	
2175 psi - 24 h	9
2175 psi - 100 h	10
2175 psi - permanent	4.5
Flammability, UL94	V-0
Melt point, initial, ASTM D 4894-98a [°C/°F]:	342±10/647±50
Net weight [kg/lbs]:	0.083 kg/0.184 lbs

Material (without process contact)

SERVICE TIME

Average service life of a PTFE membrane is 12 months, but depends very much on operating conditions and choice of cleaning method and sterilization - actual life expectancy must be experimentally determined by the user.



*For further information and download please visit www.keofitt.dk