



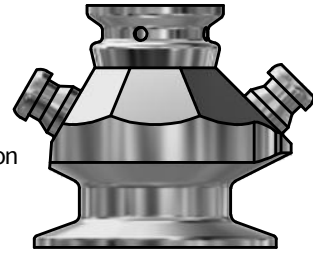


SESAME BODY TYPE C2"





ART. NO. 890003

GENERAL

-  The KEOFITT SESAME Sampling Valve is our patented dual-seat sampling valve. Unique in the market, it eliminates dead-leg during sampling while incorporating steam supply control. Unique serial no. for each valve*.
-  The sampling valve can be used for any process sampling for microbiological, chemical and/or physical analysis.
-  **Cleaning/sterilizing:** Between batches: Valve in open position: Cleanable by means of CIP using the detergent solution suitable for the actual process media. Between samples: Valve in its normal closed position: cleanable by CIP as "Between batches" or the valve may be sterilized by means of steam SIP or chemical SIP using a procedure appropriate to the actual circumstances. For further advice, please contact Keofitt.
-  Designed for sampling of liquids with a viscosity of up to approx. 1.000 cP containing no particles larger than Ø3 mm. Sampling of more viscous liquids is possible, only will it take longer (depending on process pressure).



FEATURES

-  Installation: 2" Clamp DIN 32676:2009-05 Table 4 Row C, can be fitted for NA-connect acc. ASME BPE-2 / DIN
-  Operation: Depending on choice of valve head
-  Inlet / Outlet: Hose piece
-  Membrane: Depending on choice of valve head

CERTIFICATION*

· EU EC 1935/2004 · EU EC 2023/2006 · DK No 681 25/05/20 · 3-A Certificate · 3.1 Material Certificate · Ra Certificate · ATEX 2014/34/EU · PED 2014/68/EU · Keofitt DoC

TECHNICAL DATA

Material (process contact)

- Steel parts AISI 316L (1.4435 BNII)

Material (without process contact)

- Steel parts AISI 316L (1.4404)

Surface Treatment

- Outside Electropolished Ra ≤ 1.2 µm
- Inside (wetted surface) Electropolished Ra ≤ 0.5 µm
- Process connection Electropolished Ra ≤ 0.5 µm

Pressure & Temperature

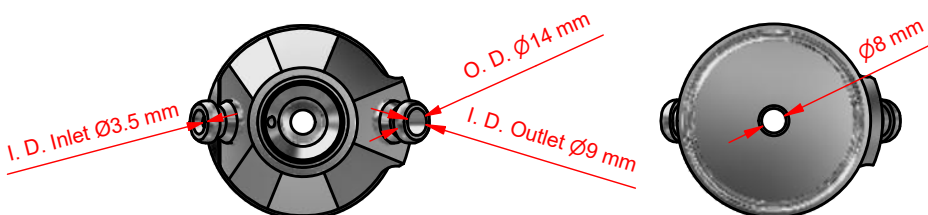
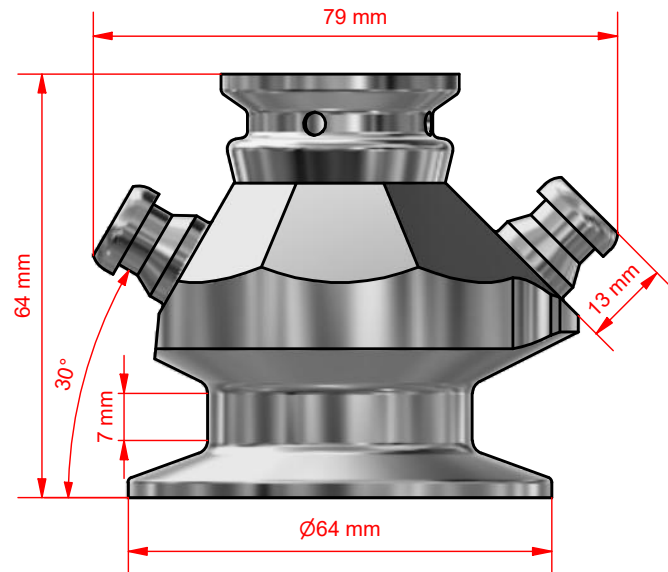
- Pressure Depending on choice of valve head
- Temperature Depending on choice of valve head
- Air supply Depending on choice of valve head

Net Weight

- kg/lbs 0.716 kg/1.577 lbs

Spareparts

- NOT APPLICABLE












"Patented: DK 175721 B1, CN 100501219C, EP 1 690 038 B1, US 7,658,201 B2"







*For further information and download please visit www.keofitt.dk



KEOFITT SESAME VALVE - HEADS

SESAME HEADS			
SILICONE	<p>TYPE H TURN KNOB 0-10 BAR</p>  <p>890041</p>	<p>TYPE Q LEVER HANDLE 0-10 BAR</p>  <p>890043</p>	<p>TYPE N PNEUMATIC 0-10 BAR</p>  <p>890044</p>
EPDM	 <p>890041E</p>	 <p>890043E</p>	 <p>890044E</p>
PTFE	 <p>895541</p>	 <p>895543</p>	 <p>895544</p>

KEOFITT SESAME INGOLD VALVE - HEADS

SESAME INGOLD HEADS			
INGOLD I40 PTFE	<p>TYPE H TURN KNOB 0-10 BAR</p>  <p>893141PTFE</p>	<p>TYPE Q LEVER HANDLE 0-10 BAR</p>  <p>893143PTFE</p>	<p>TYPE N PNEUMATIC 0-10 BAR</p>  <p>893144PTFE</p>
INGOLD IS2 PTFE	 <p>893241PTFE</p>	 <p>893243PTFE</p>	 <p>893244PTFE</p>