



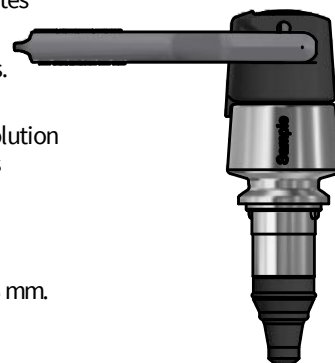


# SESAME HEAD TYPE Q EPDM




ART. NO. 890043E

## GENERAL

-  The KEOFITT SESAME Sampling Valve is our patented dual-seat sampling valve. Unique in the market, it eliminates dead-leg during sampling while incorporating steam supply control. Unique serial no. for each valve\*.
-  The sampling valve can be used for any process sampling for microbiological, chemical and/or physical analysis.
-  **Cleaning/sterilizing:** Between batches: Valve in open position: Cleanable by means of CIP using the detergent solution suitable for the actual process media. Between samples: Valve in its normal closed position: cleanable by CIP as "Between batches" or the valve may be sterilized by means of steam SIP or chemical SIP using a procedure appropriate to the actual circumstances. For further advice, please contact Keofitt. Not recommended for autoclave due to plastic parts.
-  Designed for sampling of liquids with a viscosity of up to approx. 1.000 cP containing no particles larger than Ø3 mm. Sampling of more viscous liquids is possible, only will it take longer (depending on process pressure).



## FEATURES

-  Installation: Clamp connection (clamp ring included, #900189)
-  Operation: Lever handle (#890170)
-  Membrane: EPDM (#890052)

## CERTIFICATION\*

· EU EC 1935/2004 · EU EC 2023/2006 · DK No 681 25/05/20 · 3-A Certificate · ATEX 2014/34/EU · PED 2014/68/EU · FDA CFR 21 §177.2600 · USP Class VI · Keofitt DoC

## TECHNICAL DATA

### Material (process contact)

- Membrane EPDM, BLACK (#890052)

### Material (without process contact)

- Steel parts AISI 316L (1.4404)
- Knob PA6-3G-1L2 (Black)
- Lever handle AISI 316L (1.4404)

### Membrane

- Article EPDM, BLACK (#890052)
- Certification\* · EU EC 1935/2004 · EU EC 2023/2006 · DK No 681 25/05/20 · FDA CFR 21 §177.2600 · USP Class VI · REACH · RoHS · ADI Free · Keofitt DoC

### Pressure & Temperature

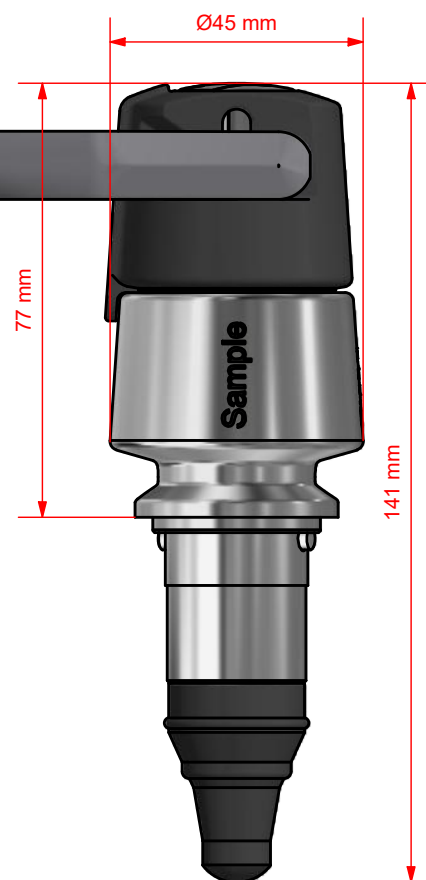
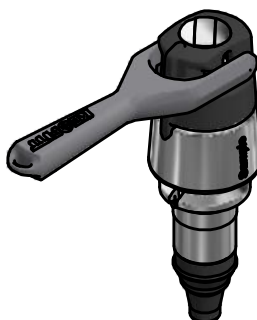
- Pressure 0 - 10 bar / 0 - 145 psi (Process & CIP/SIP)
- Temperature 1 - 130°C / 34 - 266°F
- Air supply -

### Net Weight

- kg/lbs 0.84 kg/1.851 lbs

### Spareparts

- NOT APPLICABLE



\*For further information and download please visit [www.keofitt.dk](http://www.keofitt.dk)