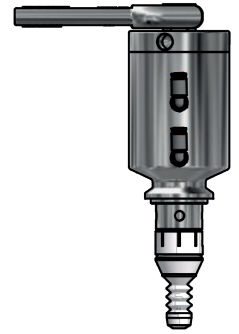


# SESAME HEAD TYPE N

ART. NO. 89544

## GENERAL

- The KEOFITT SESAME Sampling Valve is our patented dual-seat sampling valve. Unique in the market, it eliminates dead-leg during sampling while incorporating steam supply control. Unique serial no. for each valve\*.
- The sampling valve can be used for any process sampling for microbiological, chemical and/or physical analysis.
- Cleaning/sterilizing:** Between batches: Valve in open position: Cleanable by means of CIP using the detergent solution suitable for the actual process media. Between samples: Valve in its normal closed position: cleanable by CIP as “Between batches” or the valve may be sterilized by means of steam SIP or chemical SIP using a procedure appropriate to the actual circumstances. For further advice, please contact KEOFITT. Autoclavable.
- Designed for sampling of liquids with a viscosity of up to approx. 1.000 cP containing no particles larger than Ø3 mm. Sampling of more viscous liquids is possible, only will it take longer (depending on process pressure).



## FEATURES

- Installation: Clamp connection (clamp ring included, #900189) Membrane: PTFE (#890055)
- Operation: Pneumatically operated / Lever handle (#600170)  
Spring closed - when not pressurized.

## CERTIFICATION\*

- Valve head: EU EC 1935/2004 · EU EC 2023/2006 · EU EC 10/2011 · DK No 681 25/05/2020 · ATEX 2014/34/EU · PED 2014/68/EU · FDA CFR 21 §177.1550 · USP Class VI · KEOFITT DoC
- Membrane: EU EC 1935/2004 · EU EC 2023/2006 · DK No 681 25/05/2020 · FDA CFR 21 §177.2600 · USP Class VI · ADI Free · KEOFITT DoC
- O-ring: EU EC 1935/2004 · EU EC 2023/2006 · DK No 681 25/05/2020 · FDA CFR 21 §177.2600 · USP Class VI · REACH · RoHS · ADI Free · KEOFITT DoC

## TECHNICAL DATA

### Material (process contact)

Membrane: PTFE, White (#890055)

### Material (without process contact)

Steel parts: AISI 316L (1.4404)  
Lever handle: AISI 316L (1.4404)  
O-ring: EPDM, Black (#880830)

### Pressure & Temperature

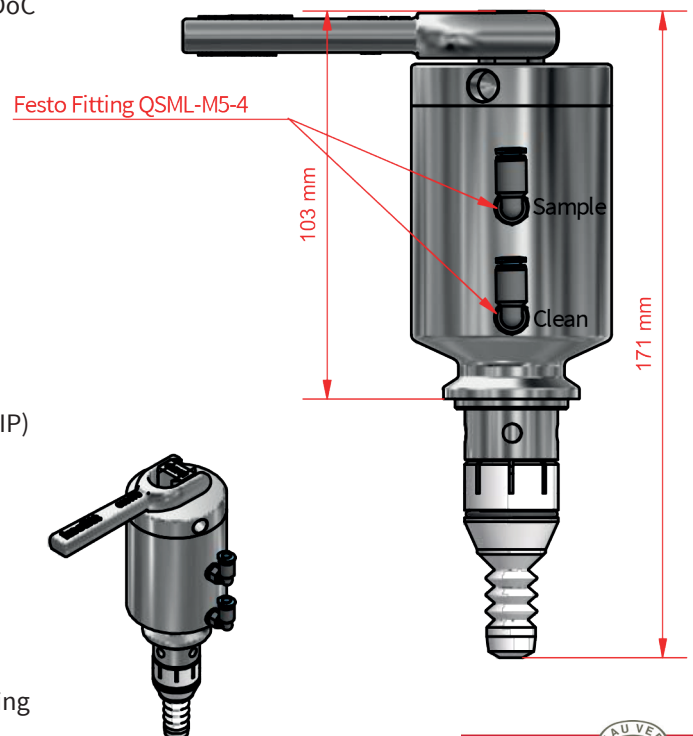
Pressure: 0 - 10 bar / 0 - 145 psi (Process & CIP/SIP)  
Temperature: 1 - 150°C / 34 - 302°F  
Air supply: 4 - 7 bar / 58 - 101 psi

### Net weight

Kg/lbs: 1.576 kg/3.471 lbs

## SPARE PARTS

- #890055 Membrane PTFE Sesame w/EPDM O-ring
- #880830 10 pack O-ring EPDM 20.35 x 1.78



\*For further information and downloads please visit [www.keofitt.dk](http://www.keofitt.dk)