





# MICRO PORT VARIVENT Ø50





ART. No. 900027

## GENERAL

-  The KEOFIT MICRO PORT is a re-sealing rubber septum designed to take samples using hypodermic needles or syringes with minimal risk of cross-contamination. Designed for sampling low viscosity products. Unique serial no. for each Micro Port\*.
-  The MICRO PORT can be used for any process sampling for microbiological, chemical and/or physical analysis.
-  Designed for sampling of liquids with a viscosity of up to approx. 50 cP containing no particles larger than Ø0.8 mm.
-  Please note that the sealing capacity is reduced with piercing.



## FEATURES

-  Installation: Varivent Ø50 connection
-  Operation: Manual operated
-  Recommended to be used with hypodermic needle (#900054)
-  Septum: Butyl IIR (#900049)

## CERTIFICATION\*

· EU EC 1935/2004 · EU EC 2023/2006 · DK No 681 25/05/20 · 3.1 Material Certificate · PED 2014/68/EU · FDA CFR 21 §177.2600 · USP Class VI · Keofitt DoC

## TECHNICAL DATA

### Material (process contact)

- Steel parts                   AISI 316L (1.4404)
  - Septum                        Butyl IIR, light grey/white (#900049)
  - O-ring                         EPDM, black (#400308)
- EU EC 1935/2004 · EU EC 2023/2006 · DK No 681 25/05/20 · FDA CFR 21 §177.2600 · USP Class VI · ADI Free · Keofitt DoC

### Material (without process contact)

- Steel parts                   AISI 316L (1.4404)
- Stainless steel chain       AISI 316L (1.4404)
- O-ring                         EPDM, black (#900822-#900824)

### Septum

- Article                         Butyl IIR, light grey/white (#900049)
- Certification\*               · EU EC 1935/2004 · EU EC 2023/2006
- DK No 681 25/05/20 · FDA CFR 21 §177.2600
- USP Class VI · REACH · RoHS · ADI Free · Keofitt DoC

### Surface Treatment

- Outside                       Electropolished Ra <= 1.2 µm
- Inside (wetted surface)   Electropolished Ra <= 0.5 µm
- Process connection       Electropolished Ra <= 0.5 µm

### Pressure & Temperature

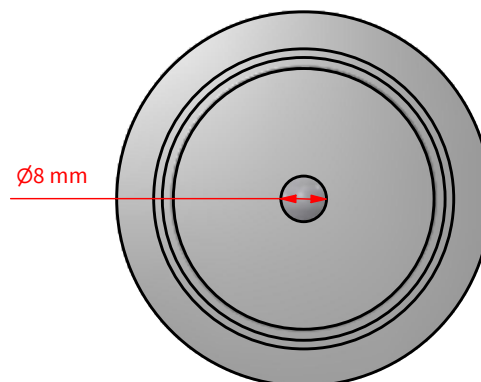
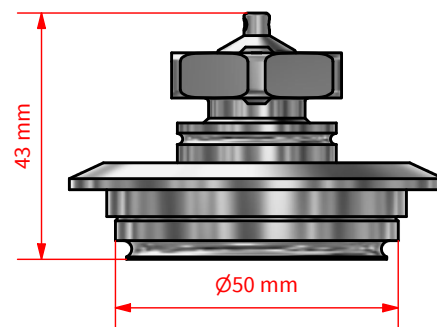
- Pressure                      0 - 10 bar / 0 - 145 psi
- Temperature                 1 - 110°C / 34 - 230°F
- Air supply                    -

### Net Weight

- kg/lbs                         0.387 kg/0.852 lbs

### Spareparts

- 400308                         10 PACK O-RING 'VARIVENT' EPDM 42 x 3
- 900049                         10 PACK MEMBRANE BUTYL FOR MICRO PORT
- 900055                         100 PACK WICK (MICRO PORT)
- 900077                         STAINLESS STEEL CHAIN (MICRO PORT)
- 900822                         10 PACK O-RING EPDM 9.3 x 2.4
- 900824                         10 PACK O-RING EPDM 14 x 4



\*For further information and download please visit [www.keofitt.dk](http://www.keofitt.dk)

KEOFITT A/S reserves the right to change technical data without notice! Valid version of the data sheets is available on [www.keofitt.dk](http://www.keofitt.dk).