

# MICRO PORT TYPE P 1"

ART. NO. 900057

## GENERAL



The KEOFIT MICRO PORT is a re-sealing rubber septum designed to take samples using hypodermic needles or syringes with minimal risk of cross-contamination. Designed for sampling low viscosity products. Unique serial no. for each Micro Port\*.



The MICRO PORT can be used for any process sampling for microbiological, chemical and/or physical analysis.



Designed for sampling of liquids with a viscosity of up to approx. 50 cP containing no particles larger than Ø0.8 mm.



Please note that the sealing capacity is reduced with piercing.



## FEATURES



Installation: Pipe welding: DIN EN ISO 1127 25x1.25



Operation: Manually operated



Recommended to be used with hypodermic needle (#900054).



Septum: Butyl IIR (#900049)

## CERTIFICATION\*

· EU EC 1935/2004 · EU EC 2023/2006 · DK No 681 25/05/20 · 3.1 Material Certificate · Ra Certificate · PED 2014/68/EU · FDA CFR 21 §177.2600 · USP Class VI · ADI Free · Keofitt DoC

## TECHNICAL DATA

### Material (process contact)

- Steel parts: AISI 316L (1.4404)
- Septum: Butyl IIR (LIGHT GREY/WHITE, #900049)

### Material (without process contact)

- Steel parts: AISI 316L (1.4404)
- O-ring: EPDM, BLACK (#900824)
- Stainless steel chain: AISI 316L (1.4404)

### Septum

- Article: Butyl IIR (LIGHT GREY/WHITE, #900049)
- Certification\*: · EU EC 1935/2004 · EU EC 2023/2006 · DK No 681 25/05/20 · FDA CFR 21 §177.2600 · USP Class VI · ADI Free · Keofitt DoC

### Surface Treatment

- Outside: Electropolished Ra ≤ 1.2 µm
- Inside (wetted surface): Electropolished Ra ≤ 0.5 µm
- Process connection: Electropolished Ra ≤ 0.5 µm

### Pressure & Temperature

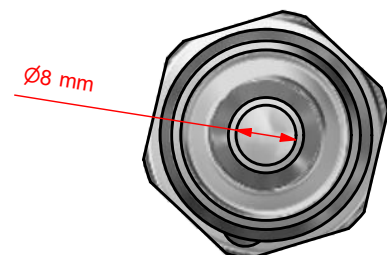
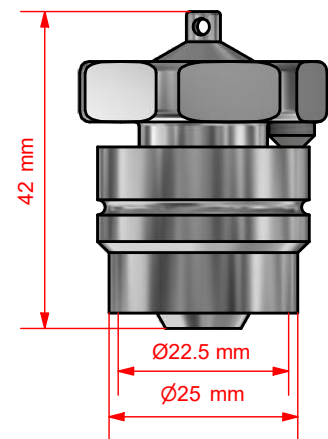
- Pressure: 0 - 10 bar / 0 - 145 psi
- Temperature: 1 - 110°C / 34 - 230° F
- Air supply: -

### Net Weight

- kg/lbs: 0.138 kg/0.305 lbs

### Spareparts

- 779056: PARTS MICROPORT 900014/56/57/58/59



\*For further information and download please visit [www.keofitt.dk](http://www.keofitt.dk)

KEOFITT A/S reserves the right to change technical data without notice! Valid version of the data sheets is available on [www.keofitt.dk](http://www.keofitt.dk).