

MICRO PORT TYPE C 1"

ART. NO. 900058

GENERAL

The KEOFITT MICRO PORT is a re-sealing rubber septum designed to take samples using hypodermic needles or syringes with minimal risk of cross-contamination. Designed for sampling low viscosity products. Unique serial no. for each Micro Port*.

The MICRO PORT can be used for any process sampling for microbiological, chemical and/or physical analysis.

Designed for sampling of liquids with a viscosity of up to approx. 50 cP containing no particles larger than Ø0.8 mm.

Please note that the sealing capacity is reduced with piercing.



FEATURES

Installation: 1" Clamp: DIN 32676-KK-A-24,4 x 1,65
DIN 32676:2022-10 Table 5 Row C, I.D. 8mm

Operation: Manually operated

Can be fitted for NA-connect acc. ASME BPE-2 / DIN
Recommended to be used with hypodermic needle (#900054).

Septum: Butyl IIR (#900049)

CERTIFICATION*

· EU EC 1935/2004 · EU EC 2023/2006 · DK No 681 25/05/20 · 3.1 Material Certificate · Ra Certificate · PED 2014/68/EU · FDA CFR 21 §177.2600 · USP Class VI · ADI Free · Keofitt DoC

TECHNICAL DATA

Material (process contact)

· Steel parts AISI 316L (1.4404)
· Septum Butyl IIR (LIGHT GREY/WHITE, #900049)

Material (without process contact)

· Steel parts AISI 316L (1.4404)
· O-ring EPDM, BLACK (#900824)
· Stainless steel chain AISI 316L (1.4404)

Septum

· Article Butyl IIR (LIGHT GREY/WHITE, #900049)
· Certification* · EU EC 1935/2004 · EU EC 2023/2006 · DK No 681 25/05/20 · FDA CFR 21 §177.2600 · USP Class VI · ADI Free · Keofitt DoC

Surface Treatment

· Outside Electropolished Ra <= 1.2 µm
· Inside (wetted surface) Electropolished Ra <= 0.5 µm
· Process connection Electropolished Ra <= 0.5 µm

Pressure & Temperature

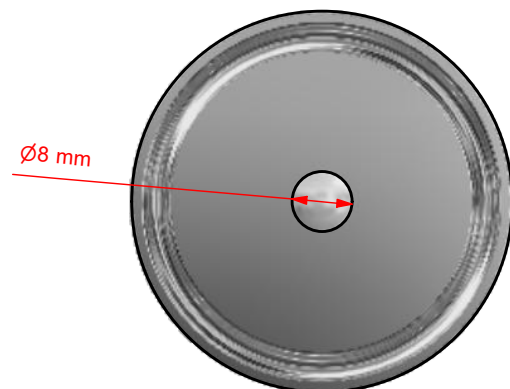
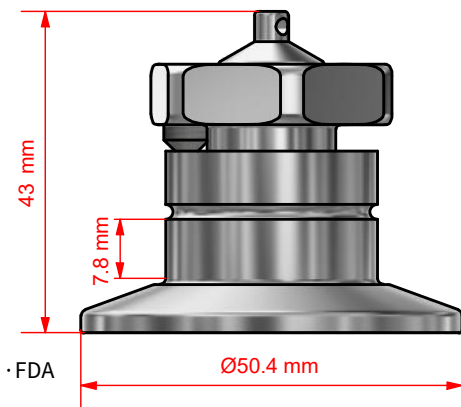
· Pressure 0 - 10 bar / 0 - 145 psi
· Temperature 1 - 110°C / 34 - 230° F
· Air supply -

Net Weight

· kg/lbs 0.209 kg/0.461 lbs

Spareparts

779056 PARTS FOR MICROPORT 900014/56/57/58/59



*For further information and download please visit www.keofitt.dk

KEOFITT A/S reserves the right to change technical data without notice! Valid version of the data sheets is available on www.keofitt.dk.