

CLAMP RING 1"

ART. NO. 900086

GENERAL



KEOFITT has the widest selection of spare parts and accessories to complete your sampling system



Manufactured according to DIN32676

FEATURES



For 1" clamp connection

CERTIFICATION

TECHNICAL DATA

Materials

· Steel parts AISI 304 (1.4301)

Surface

· Outside NOT APPLICABLE
· Inside NOT APPLICABLE

Pressure & Temperature

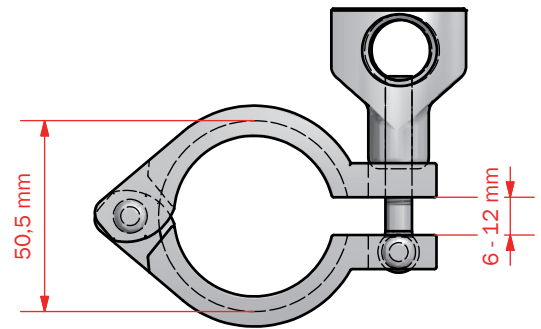
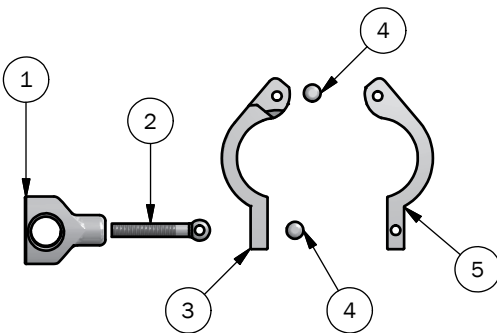
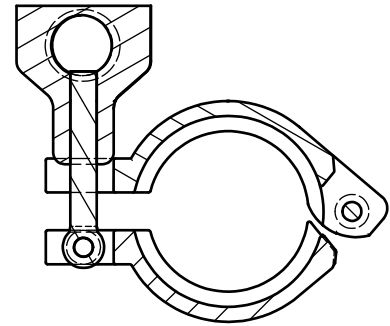
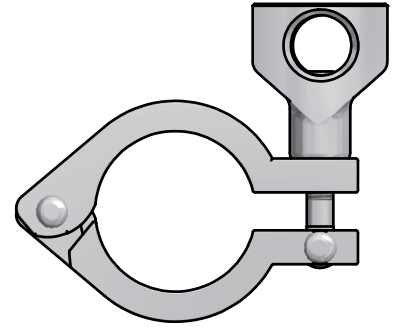
· Pressure NOT APPLICABLE
· Temperature NOT APPLICABLE

Net Weight

· Kg/lbs 0,309 kg / 0,09 lbs

Spareparts

· NOT APPLICABLE



PART LIST

ITEM	QTY	PART NUMBER	TITLE	MATERIAL
1	1	900086-3	Wingnut for Clamp 1" 900086	AISI 304 (1.4301)
2	1	900086-4	Eyebolt for Clamp 1" 900086	AISI 304 (1.4301)
3	1	900086-2	Clamp half 1" 900086	AISI 304 (1.4301)
4	2	900086-5	Rivets for Clamp 1" 900086	AISI 304 (1.4308)
5	1	900086-1	Clamp half 1" 900086	AISI 304 (1.4301)