



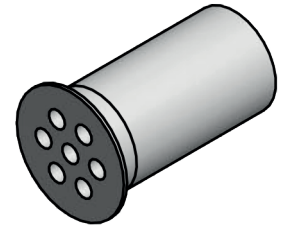
INSERT FOR MICRO PORT - 7 PIERCINGS

ART. NO. 900102

GENERAL

 KEOFITT has the widest selection of spare parts and accessories to complete your sampling system.

 Compatible with all KEOFITT Micro Port



CERTIFICATION*

TECHNICAL DATA

Material (process contact)

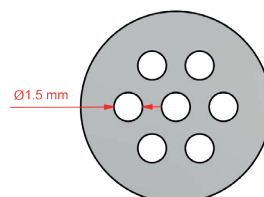
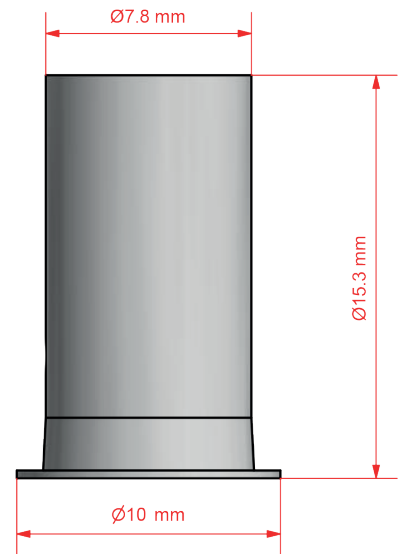
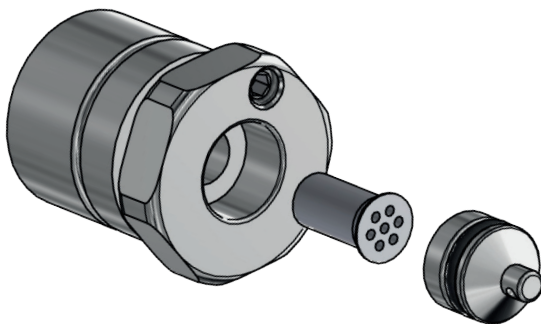
Type: PTFE, White

Net weight

Kg/lbs: 0.001 kg / 0.002 lbs

SPARE PARTS

NOT APPLICABLE



*For further information and downloads please visit www.keofitt.dk